

Making British gardens great

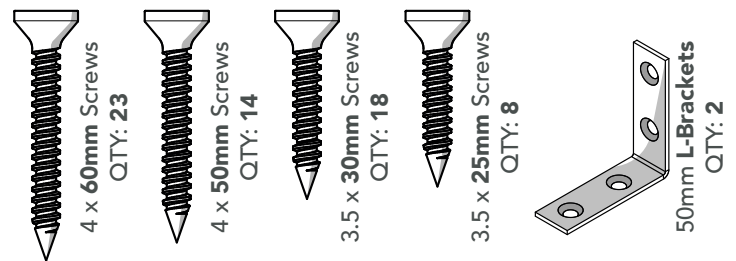
CORNER LOG STORE

INSTRUCTIONS

We recommend using the following tools (not supplied):



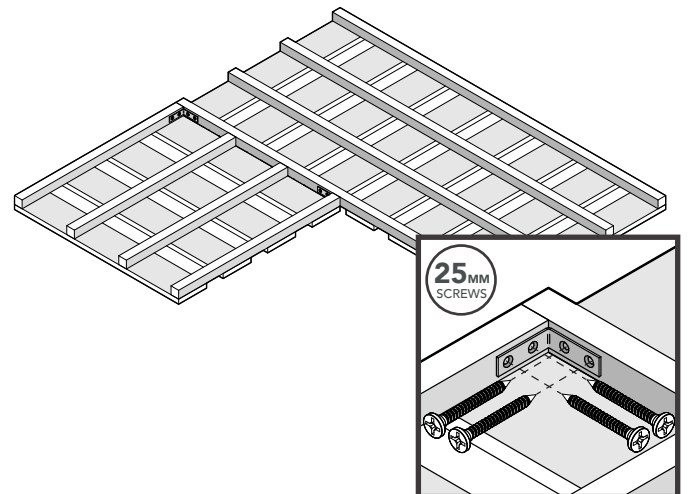
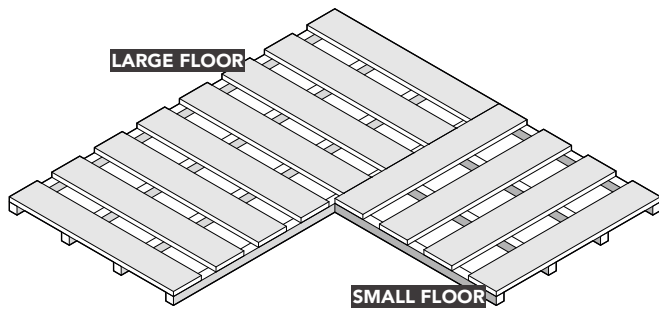
FIXING PACK CONTAINS:
FIXING PACK CODE: CLGSTFP



PLEASE KEEP PLASTIC BAGS AND SMALL PARTS AWAY FROM CHILDREN

CHECK AND TIGHTEN ALL THE FIXINGS APPLIED TO THIS PRODUCT ON A REGULAR BASIS.

1



Position the floors in your desired location. Your log store must be built on a solid and level base.

Turn the floors upside down. Position and secure 2 x L-brackets to the corners of the Small Floor as shown above to secure the floors together.



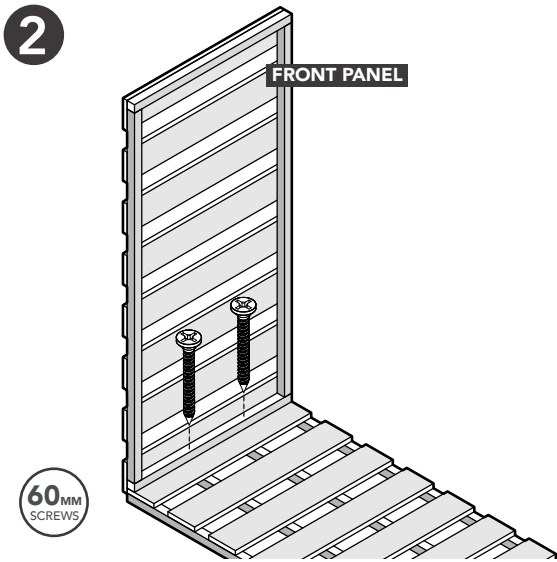
IMPORTANT
Assembly requires 2+ adults.



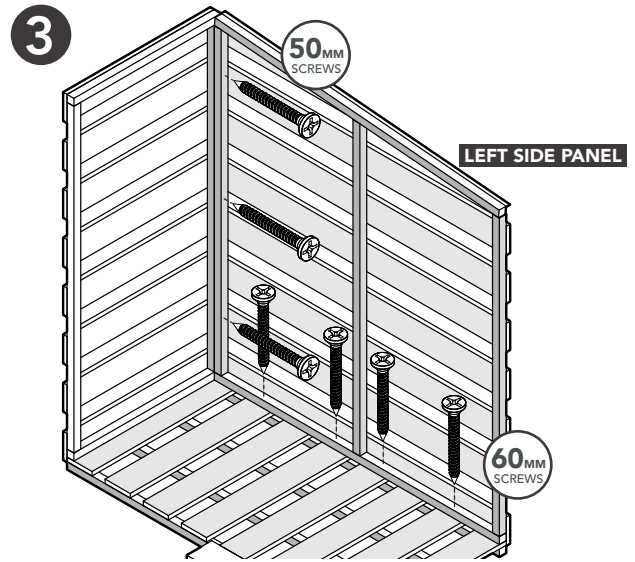
REMINDER
Always pre-drill before screwing.

Missing something or need more information?
Call our aftersales team on
0333 321 3142

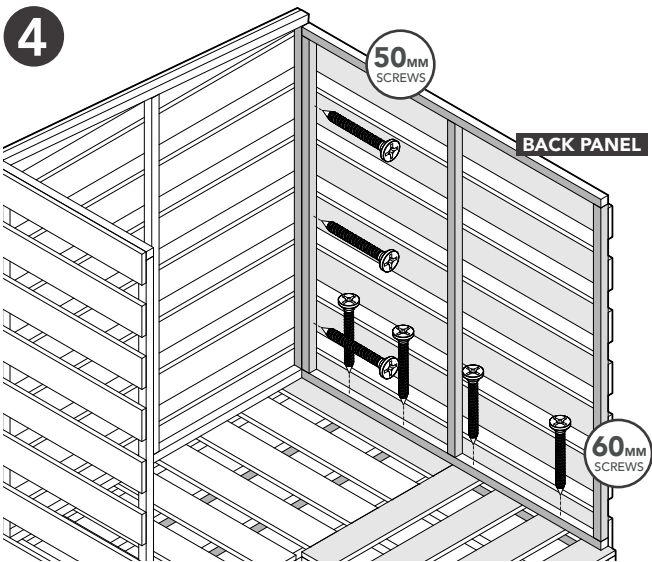
Visit our website for spare instructions and more information
www.forestgarden.co.uk



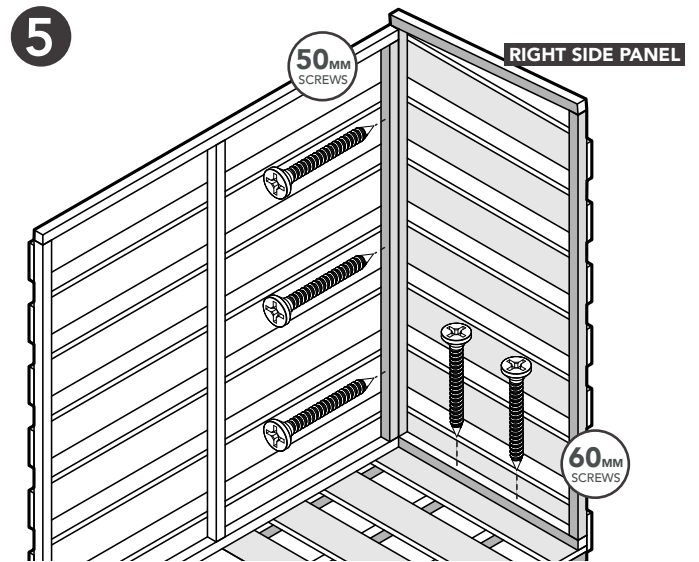
Secure the Front Panel. Screw into the bearers of the floor beneath. Ensure the panel is flush to the edges of the floor.



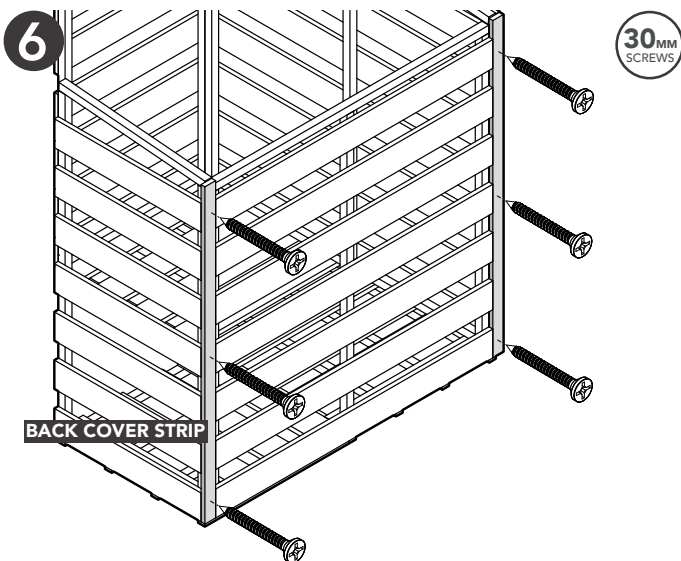
Attach the Left Side Panel to the Front Panel and Large Floor as shown above. Use 60mm screws for the floor and 50mm screws for securing the panels together.



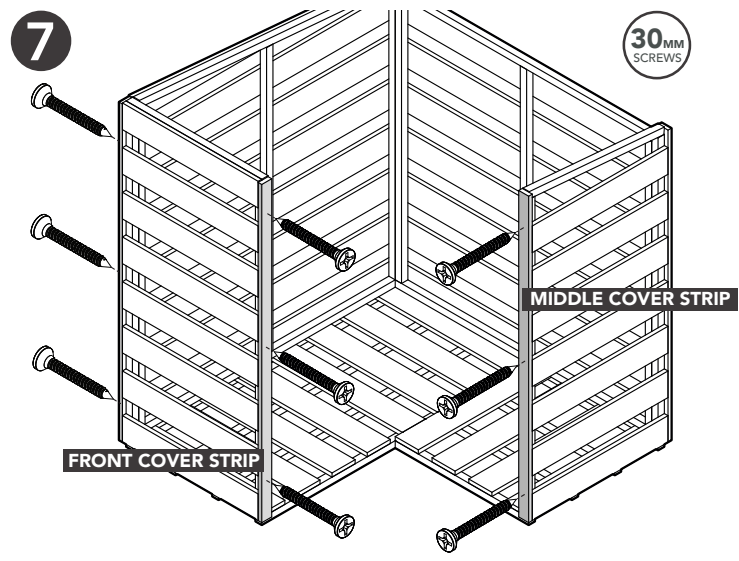
Attach the Back Panel to the side panel and floors as shown above. Use 60mm screws for the floor and 50mm screws for securing the panels together.



Attach the Right Side Panel to the Back Panel and Small Floor as shown above. Use 60mm screws for the floor and 50mm screws for securing the panels together.

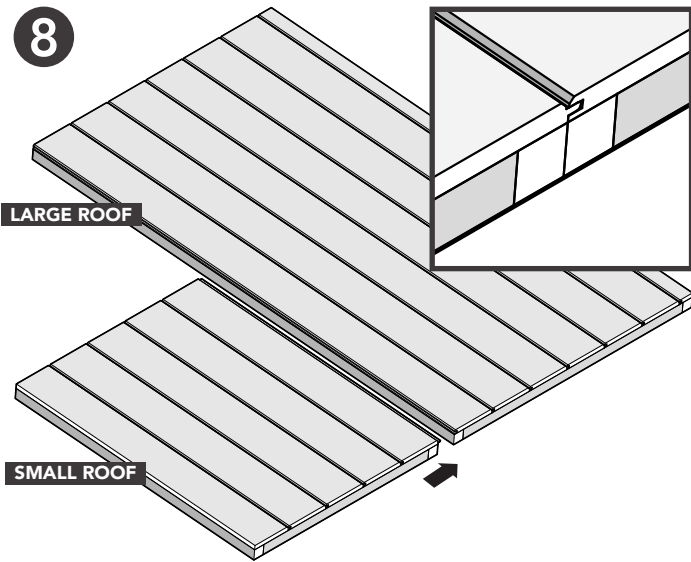


Secure the Back Cover Strips. Ensure the strips are flush to the bottom board on the panels.



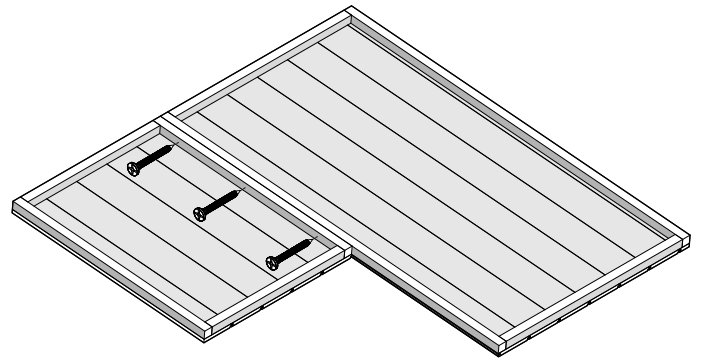
Secure the Front Cover Strip and Middle Cover Strip. Ensure the strips are flush to the bottom board on the panels.

8



Tap the **Small Roof** into the **Large Roof** with a mallet. Ensure the battens are flush together when slotting together. If a mallet is not available, use a wide piece of wood to protect the product when hammering.

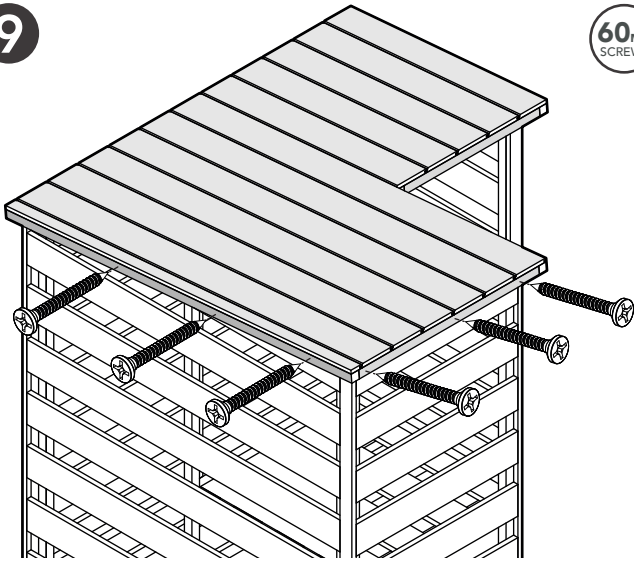
50MM SCREWS



Once the roof panels have been slotted together, turn them upside down and **secure the roof panels together** as shown above.

9

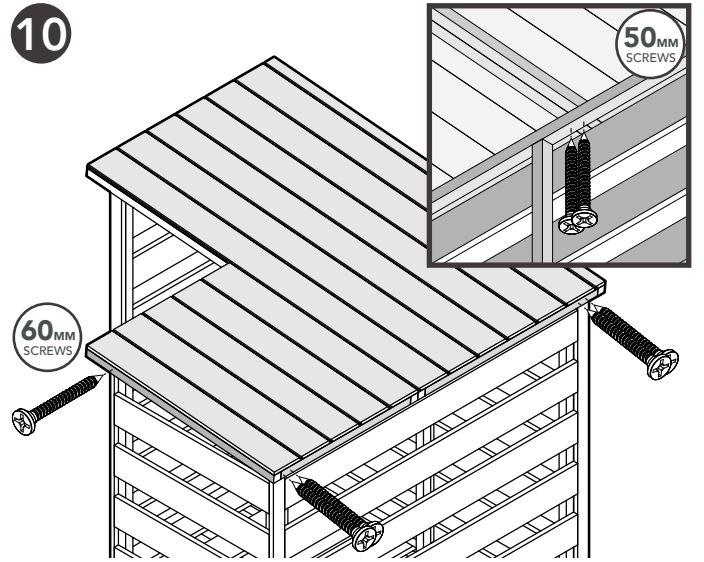
60MM SCREWS



Position and attach the assembled roof panels to the panels. Ensure the roof is pushed up against the **Left Side Panel** and **Front Panel** to secure into place.

10

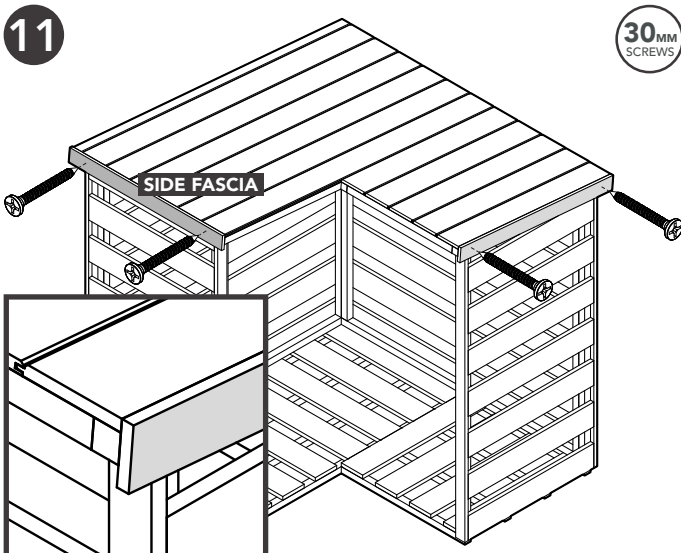
50MM SCREWS



Secure the assembled roof panels to the **Cover strips, Back Panel and Right Side Panel** as shown above. Screw through the top batten of the **Back Panel** into the roof battens that are resting on the **Back Panel**.

11

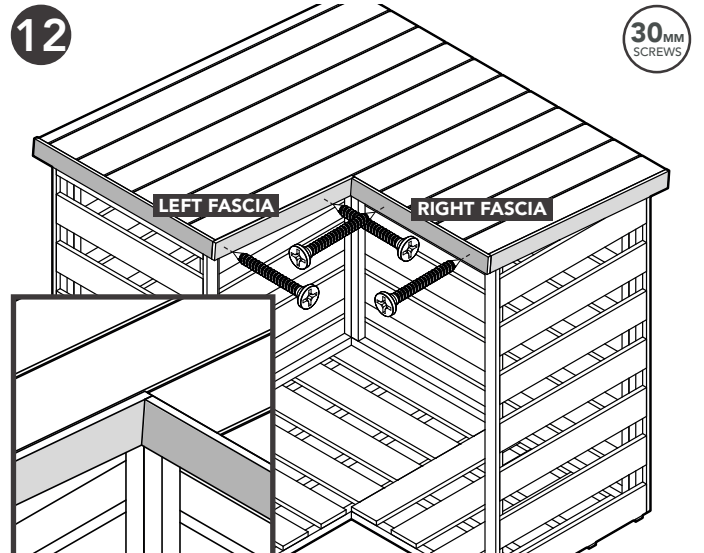
30MM SCREWS



Attach the **Side Fascias**. Ensure the fascias are flush to the inside roof face as shown above. There will be a slight overhang from the **Side Fascia's**.

12

30MM SCREWS



Attach the **Left and Right Fascias** to the roof panels as shown above. Ensure they are flush to the **Side Fascias**.

CHECK YOU HAVE ALL YOUR PARTS PRIOR TO ASSEMBLY.

(The parts do not have codes on them. They are listed below should you need to order one.)

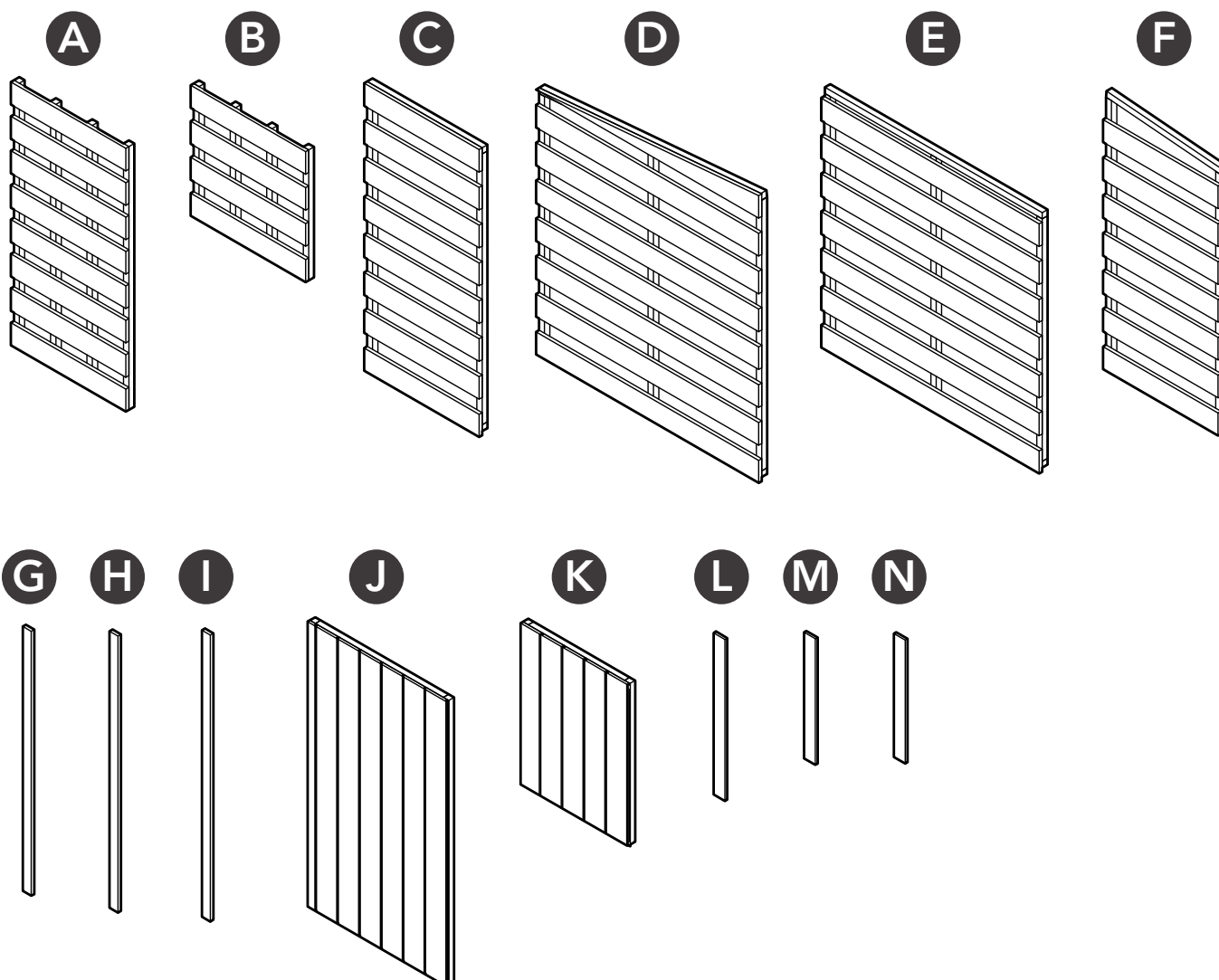
Timber is a natural material of which will shrink and swell as a result of varying moisture content.

Assembly of damaged parts may be deemed to be acceptance and this may affect the remedies you are entitled to. If the product is not constructed in accordance with the instructions, or is altered in anyway (e.g. painted), the manufacturer cannot be held liable for any resulting damage.

The components provided may be heavy. Please lift with caution and with a minimum of 2 people.

Corner Log Store (CLGST)			
Label	Part Code	Description	No.
A	CLGSTBASELG	Large Floor 600x1190mm	1
B	CLGSTBASESM	Small Floor 590x600mm	1
C	CLGSTFRONT	Front Panel 600x1299mm	1
D	CLGSTLHSIDE	Left Side Panel 1162x1299mm	1
E	CLGSTBACK	Back Panel 1134x1171mm	1
F	CLGSTRHSIDE	Right Side Panel 600x1250mm	1
G	44161195PT	Back Cover Strip 44x16x1195mm	2
H	44161250PT	Middle Cover Strip 44x16x1250mm	1
I	44161295PT	Front Cover Strip 44x16x1295mm	2
J	CLGSTRFLG	Large Roof 724x1287mm	1
K	CLGSTRFSM	Small Roof 565x729mm	1
L	59120730PPT	Side Fascia 59x12x730mm	2
M	59120570PPT	Left Fascia 59x12x570mm	1
N	59120558PPT	Right Fascia 59x12x558mm	1

Use the labelled components to help identify the part code and description.



HEALTH & SAFETY

THE ROOF OF THIS LOG STORE IS NOT A LOAD BEARING STRUCTURE

We strongly recommend that PPE (Personal Protective Equipment) is used throughout your build to ensure you are protected from any potential health and safety risks. **Do not exempt yourself from wearing PPE.**



TREATED TIMBER CONTAINING A BIOCIDAL PRODUCT CONTROL OF WOOD DESTROYING ORGANISMS

Active Ingredients - Propiconazole, Tebuconazole, IPBC, Permethrine, Benzyl-C12-16-Alkyldimethyl Chlorides. (Dip Treated)
Basic Copper Carbonate, DDA Carbonate, DDA Chloride. (Pressure Treated)

Wear gloves when handling. Avoid inhalation of sawdust. Do not use in contact with drinking water or food. Do not use for animal bedding or in fish ponds. Dispose of treated wood responsibly.